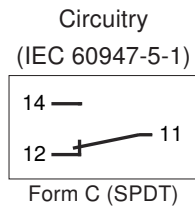
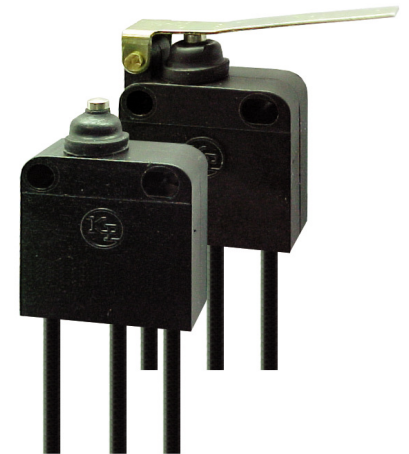


- Dust and moisture proof
- 5A rating, change over circuit
- Snap action contacts mechanism with long life helicoidal spring
- Rock wipe and self-cleaning contact action
- Plunger, hinge lever and roller hinge lever actuators
- Provided with cables

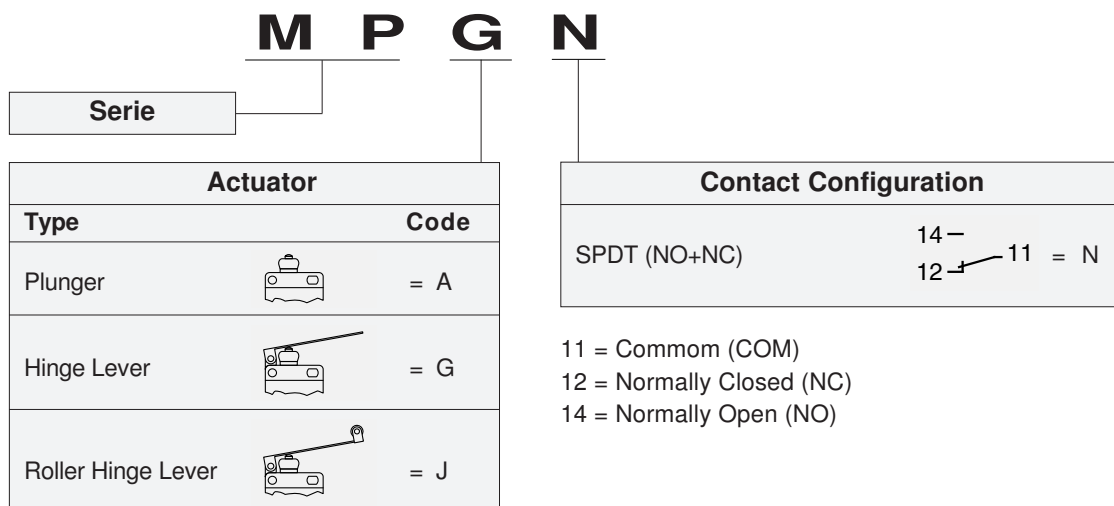


## Specifications

Electrical Rating	5A 250Vac
Contact Resistance	50mΩ maximum initial (at 1A 5Vdc)
Degree of Protection	IP65 (IEC 60529)
Cable	0.75mm <sup>2</sup> ; length 1m; isolation at black PVC ①
Ambient Temperature	+70°C maximum, limited by the cable
Mechanical Life Expectancy	1.000.000 cycles
Electrical Life Expectancy	50.000 cycles (at 5A 250Vac)
Materials	Enclosure: Thermoplastic Polyamide
	Plunger: Nickel plated brass
	Sealing Gasket: rubber
	Lever: Stainless Steel
	Contacts: Silver alloy

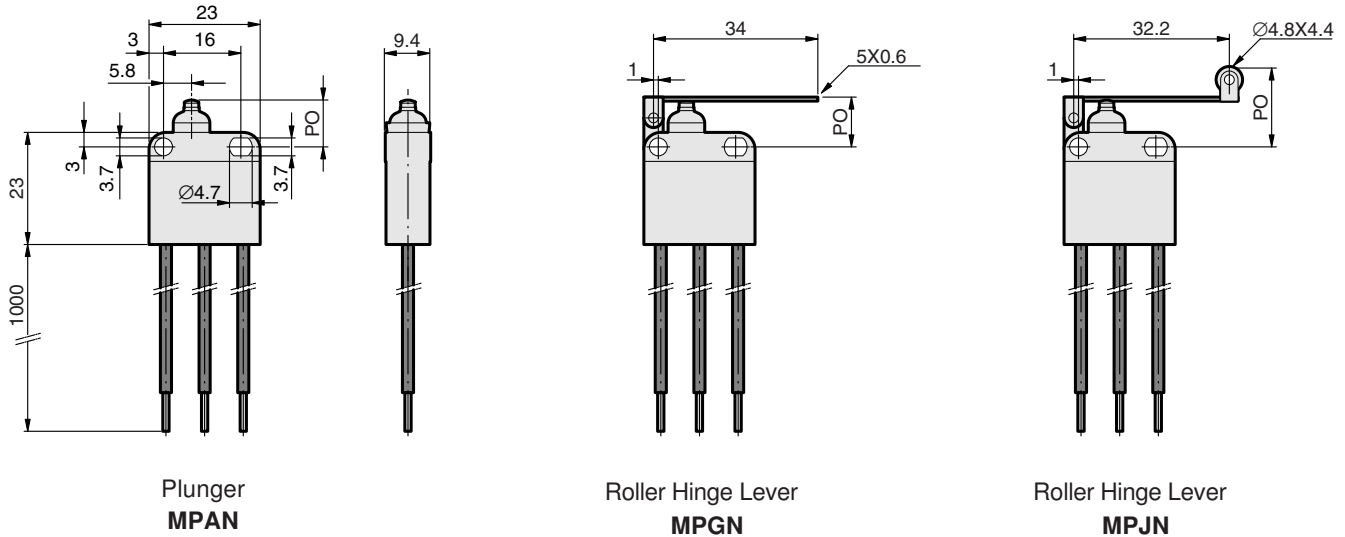
① We can provide faston terminals 6,3x0,8.

## Ordering Information



## Dimensions

Dimensions in mm



Subject to change without prior notice

## Characteristics

**Terminology:** OF .... Operating Force      DT ... Differential Travel  
 OP ... Operating Position      OT ... Overtravel  
 PT .... Pretravel      L ..... Actuator Length

Model	OF max. (gf)	OP (mm)	PT max. (mm)	DT max. (mm)	OT min. (mm)
MPAN	270	9.7 ± 0.6	1.9	0.2	0.4
MPGN	65	10.3 ± 3.1	9.5	1.0	2.0
MPJN	68	16.3 ± 2.6	9.0	1.0	1.9

## Special Applications

Even though the products presented in this catalog for regular commercial use, we are able to develop "personalized" models for special applications. Contact us. Examples:

- Special length cables;
- SPST-NO (normally open) or SPST-NC (normally closed) contacts ;
- Golden plate contacts;
- Special lengths and forms actuators;