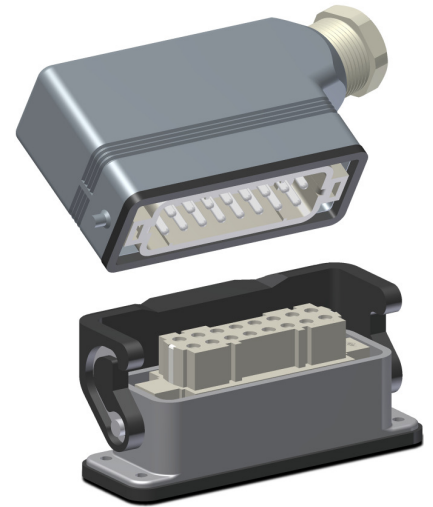


- Small size multiple connectors for heavy duty applications
- Choice of 10,16 and 32 contacts
- Metal enclosure with Degree of Protection IP54 (IEC 60529)
- Male/female polarized connection
- Silver plated contacts with screw terminal and wire protection
- Hoods supplied with incorporated cable entry protection
- Ground contact for all male/female inserts
- Foolproof locking lever
- In conformity with Low Voltage Directive 2006/95/EC
- UL recognized component (File E115072 - models CA, CDA, CH, CZI, CZO and CZV)



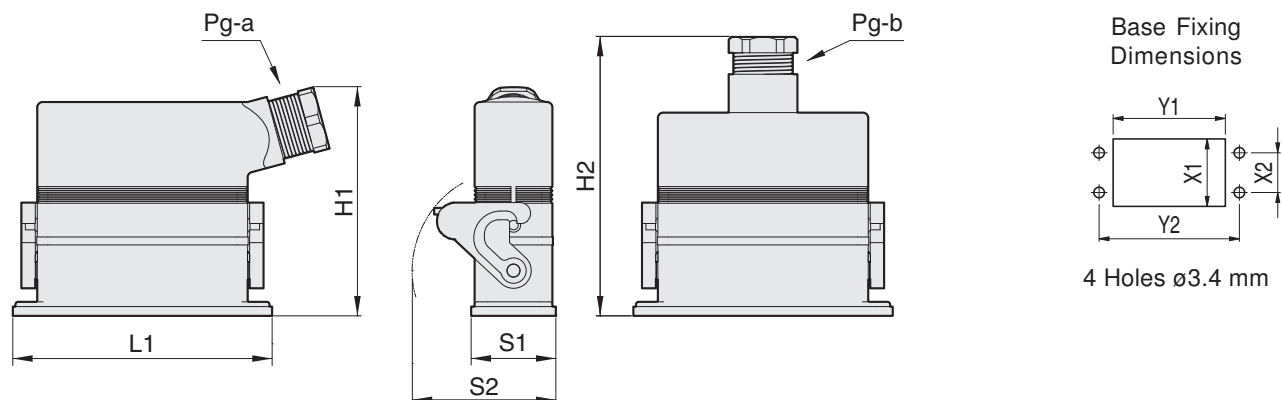
### Specifications

Electrical Ratings	16 A 250 V
Nº of Contacts	10, 16 e 32 (2x16) active contacts + ground contact
Contact Resistance	5 mΩ maximum initial for each contact
Ambient Temperature	-40° C...+125° C
Degree of Protection	IP54 (IEC 60529) For complete connector, with cable entry and when mated and locked with the closing levers Higher degree of protection on request
Insulation Resistance	50 MΩ minimum
Electrical Connection(cables)	0,75...2,5 mm <sup>2</sup> (AWG 18...14); torque: 0,5 N.m (4,4 lb.in)
Materials	Inserts: Thermoplastic UL 94 V0 Enclosure: Injected Aluminum Contacts: Silver Plated Brass Cable entry protection: Reinforced Thermoplastic. Other options see <b>ZA</b> catalog Locking Lever: Zinc plated steel

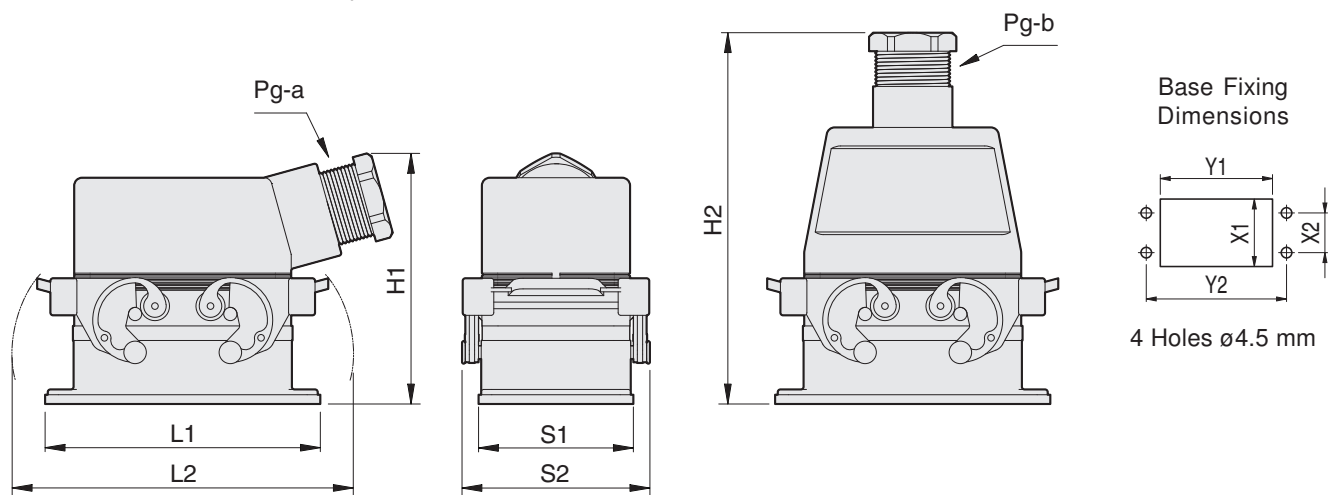
Subject to change without prior notice

## Basic Dimensions

Dimensions of connectors with 10 and 16 poles



Dimensions of connectors with 32 poles



Subject to change without prior notice

Poles	L1	L2	H1	H2	S1	S2	X1	X2	Y1	Y2	Pg-a	Pg-b
10	83	-	95	105	32	54	23	17.5	57	70	16	13.5
16	98	-	95	110	32	54	23	17.5	74	86	16	16
32	104	130	95	141	58.5	71	48	42	74	92	21	21

## Ordering Information

Nº of Contacts	Insert Male	Insert Female	Hood with Side Entry	Hood with Top Entry	Housing
10	<b>PH10M</b>	<b>PH10F</b>	<b>PH10L</b>	<b>PH10S</b>	<b>PH10B</b>
16	<b>PH16M</b>	<b>PH16F</b>	<b>PH16L</b>	<b>PH16S</b>	<b>PH16B</b>
32	<b>PH16M (2x)</b>	<b>PH16F (2x)</b>	<b>PH32L</b>	<b>PH32S</b>	<b>PH32B</b>