

- Rugged power plug
- Construction according to DIN 49450 and DIN 49451
- Choice of 25,40,63 and 100 A at 380/440 V electrical rating
- Arc resistant up to 500 V~
- Metal enclosure with high mechanical resistance
- Versions: plug, flush and wall mounting sockets
- The connector is safely locked after connection
- Brass contacts with screw terminals



Specifications

Electrical Rating	25 A, 40 A, 63 A and 100 A - 380/440 V	
Nº of Contacts	3 active contacts + 1 neutral contact	
Contact Resistance	5 mΩ maximum initial for each contact (all inserts)	
Ambient Temperature	+85° C maximum	
Degree of Protection	IP40 (for complete connector. PNG: assembled in panel) (IEC 60529)	
Insulation Resistance	50 MΩ minimum	
Materials	Inserts:	Thermoplastic reinforced or phenolic resin
	Contacts:	Brass
	Enclosure :	Die Cast Alluminium

Subject to change without prior notice

Available Models



Plug
PNA....



Wall Mounting Socket
PNF...



Flush Mounting Socket
PNG...



Coupler
PNH...

Ordering Information

P N A 2 5

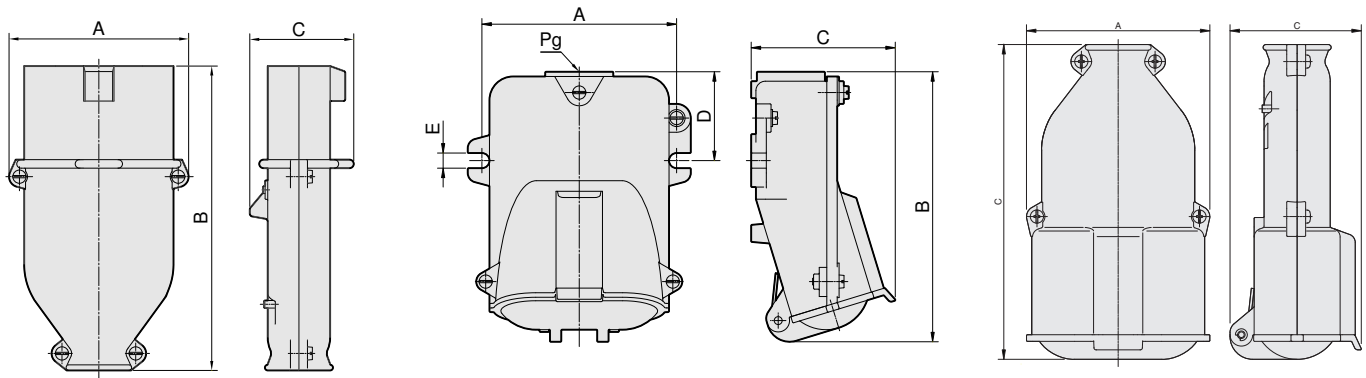
Series

Constructive Form	
Plug	= A
Wall mounting socket	= F
Flush mounting socket	= G
Coupler	= H

Electrical Rating	
25A at 380/440V	= 25
40A at 380/440V	= 40
63A at 380/440V	= 63
100A at 380/440V	= 100

Basic Dimensions (in mm)

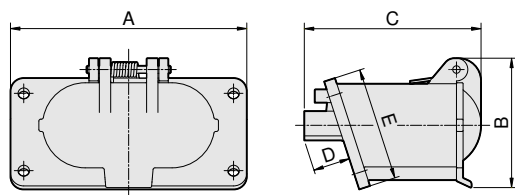
Subject to change without prior notice



Code	A	B	C
PNA25	95	161	56,5
PNA40	116	184	63
PNA63	140	202	69
PNA100	168	250	80

Code	A	B	C	D	E	Pg
PNF25	103	143	76	47	8	21
PNF40	122	158,5	88	49	8	29
PNF63	144	166	99,5	50,5	10	29
PNF100	172	215	122,5	86	11	36

Code	A	B	C
PNH25	97	167	70
PNH40	119	198	76
PNH63	141	209	85
PNH100	168	262	100



Code	A	B	C	D	E	F	G	H	I	J
PNG25	125	68,5	93,5	19,5	60	111	40	80	7	43
PNG40	126	75,5	105,5	19	64	111	45	95	7	43
PNG63	168	83	108,5	22	72	152	50	124	7	47
PNG100	174	99,5	120	27	78	152	60	130	7	56

