


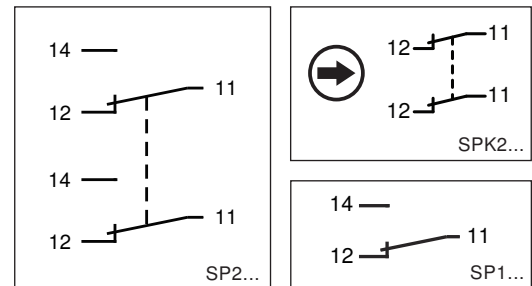
KP SP Series

Miniature Foot Switch


- Option metal or thermoplastic enclosure
- Option snap action or slow action contact mechanism
- Snap action contacts mechanism:
 - Choice of 1 or 2 internal switches
 - Choice of IP67 switch. UL recognized component (File E91274 - model VW1-06)
- Slow action contact mechanism:
 - NC Contact with positive opening \rightarrow (IEC 60947-5-1)
 - Only models with 2 switches (2NC)
 - Foot switch with yellow actuator
- Rubber feet against sliding
- Double insulated  (thermoplastic model)
- Models with metal protection cover against accidental operation



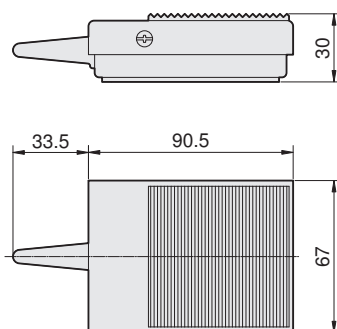
Circuitry (IEC 60947-5-1)



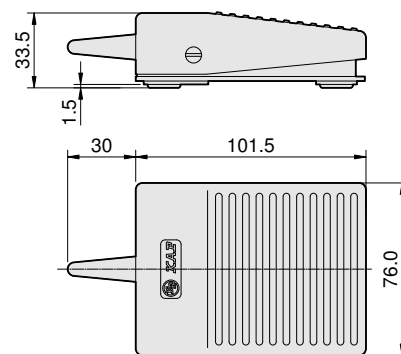
Specifications

Switch	Snap Action		Slow Action	
	- mechanism		- degree of protection	
Electrical Rating	IP40	IP67 	IP40	
Utilization Category (IEC 60947-5-1)	15 (3) A 250 Vca	6 A 125/250 Vca	AC-15	DC-13
Rated Operational Voltage (Ue)	-	5 A 30 Vcc	240 V	125 V
Rated Operational Current (Ie)	-	-	3 A	0,16 A
Conventional Free Air Thermal Current (Ith)	-	-	10 A	
Mechanical Life - cycles	10.000.000	1.000.000	1.000.000	
- cycles/min. max.	240	120	90	
Vida Elétrica - cycles	50.000	10.000	10.000	
- cycles/min. max.	10	30	6	
Contact Resistance (maximum initial)	50 mΩ	100 mΩ	50 mΩ	
Ambient Temperature	(at 1 A 5 Vcc)	(at 100 mA 1 Vcc)	(at 1 A 5 Vcc)	
Degree of Protection (IEC 60529) - Enclosure	+85° C máximo			
Materials	Metal: IP40	Plastic: IP43		
	(models with IP67 switch: see <i>Ordering Information</i>)			
Materials	Enclosure:	Metal: Painted Steel		
		Plastic: Thermoplastic		
	Protection Cover:	Painted Steel		

Dimensions (in mm)

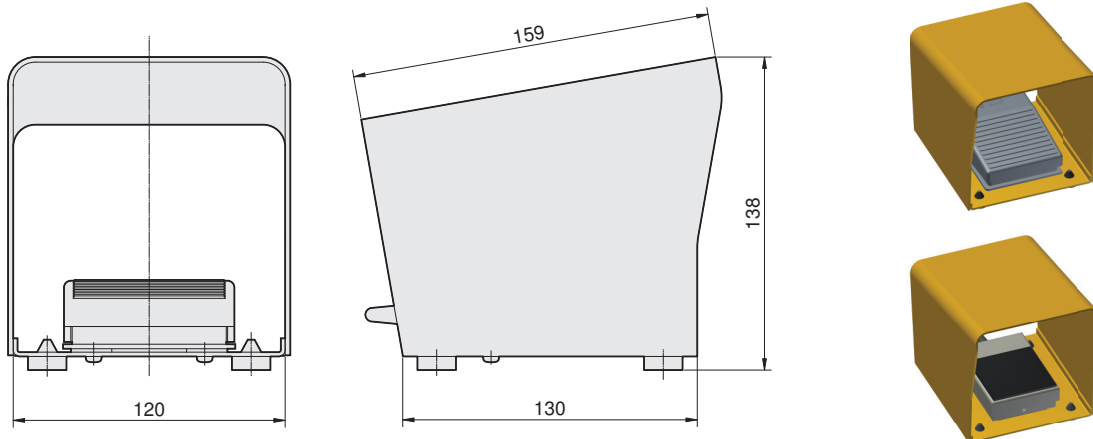


Metal Miniature Foot Switch



Thermoplastic Miniature Foot Switch

Dimensions - continuação



Metal Protection Cover to Thermoplastic or Metal Miniature Foot Switch

Ordering Information

Snap Action Mechanism

S P 1 P C C

Series	
Switch	
1 switch	= 1
2 switches ①	= 2
1 IP67 switch ②	= P1
2 IP67 switches ① ②	= P2
Enclosure	
Metallic	= none
Thermoplastic	= PC
Protection Cover	
without Protection ③	= none
with Protection	= C

Slow Action Mechanism with Positive Opening

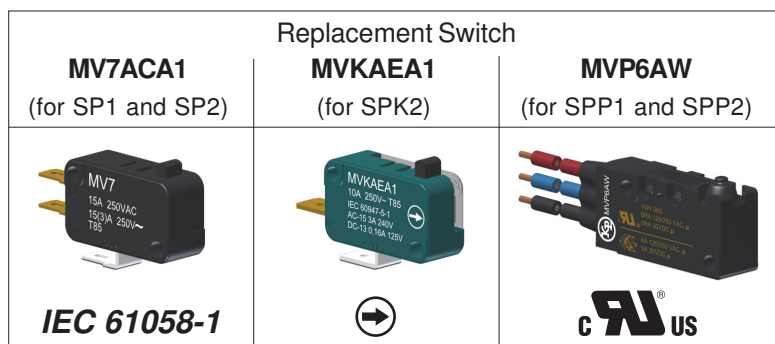
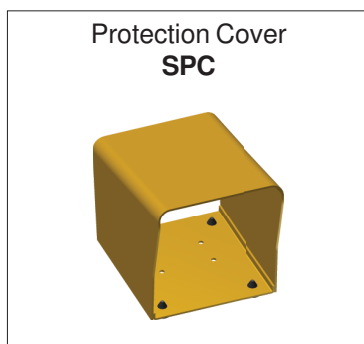
S P K 2 P A C

Series	
Switch	
2 Switches ① ④	= K2
Enclosure	
Metallic	= none
Thermoplastic	= PA
Protection Cover	
without Protection ③	= none
with Protection	= C

NOTES:

- ① It is not guaranteed the simultaneous operation of the 2 switches.
- ② IP67 switch: available only with thermoplastic enclosure. Electrical connection: cable 0,8 mm² x 300 mm (3x). Circuitry: black cable: 11 contact; red cable: 12 contact; blue cable: 14 contact.
- ③ Standard version. The others upon request.
- ④ SPK: available only with 2 switches.

Accessories



Special Applications

The products presented in this catalog are for regular commercial use, however we are able to develop "personalized" models for special applications. Contact us.