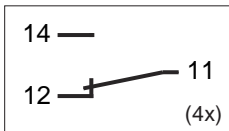
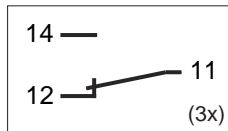


- Compact joystickswitch for light services
- Four positions with return
- Uses miniature switch MV series
- Four changeover circuit with rating up to 15 A
- Snap action contacts mechanism
- Quick connect (faston) weldable terminals
- Long mechanical life
- Round bezel for $\varnothing 22$ mm

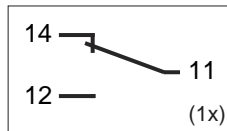
Circuitries (IEC 60947-5-1)



Lever in Repose



Operated Lever



Specifications

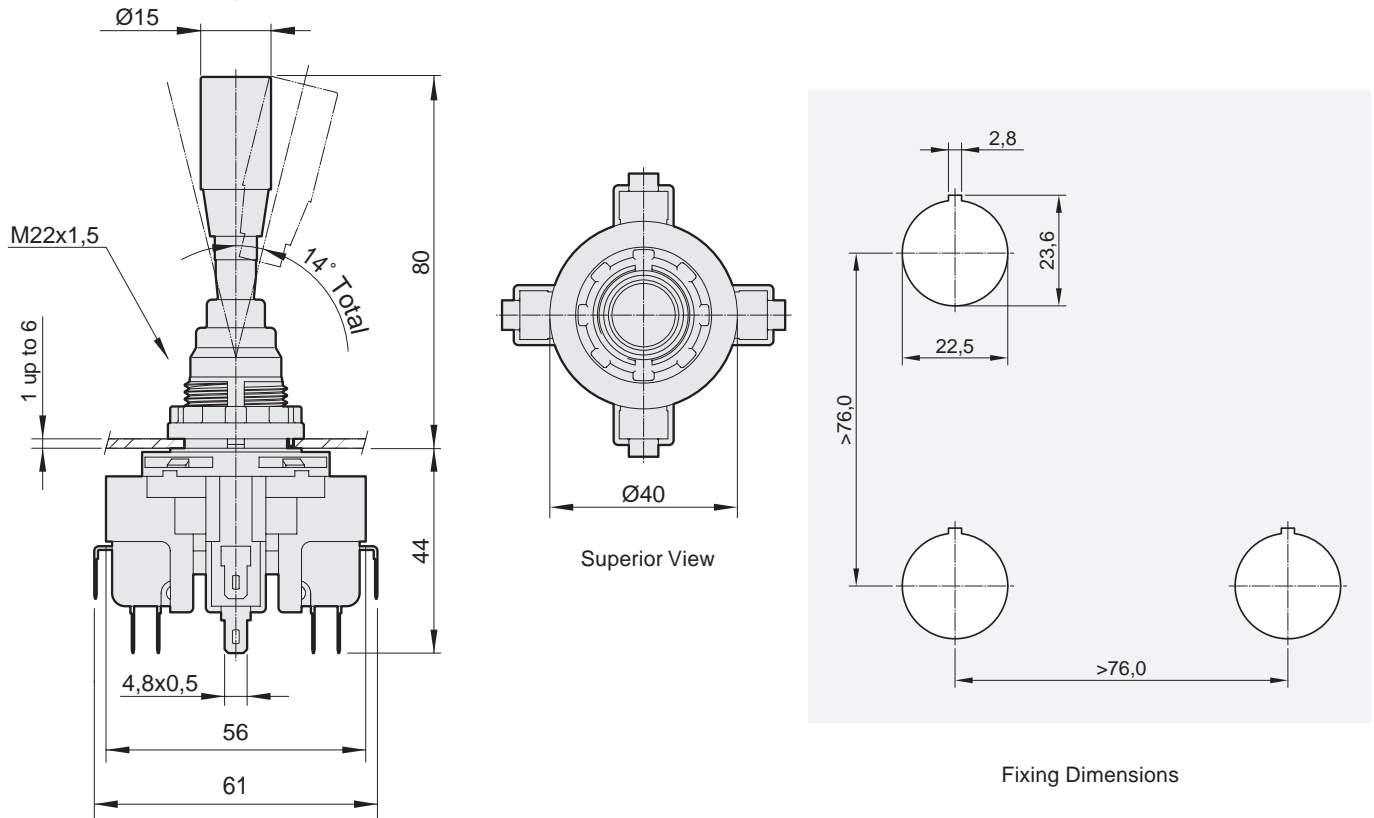
Electrical Rating	15 A 250 Vca
Contact Resistance	50 m Ω maximum initial (at 1 A 5 Vdc)
Ambient Temperature	+70° C maximum
Mechanical Life Expectancy	500.000 cycles
Electrical Life Expectancy	50.000 cycles
Degree of Protection	IP65 (assembled on panel) (IP40: with miniature switch exposed) (IEC 60529)
Materials	Enclosure: Thermoplastic
	Handle: Thermoplastic
	Lever: Zinc plated steel
	Terminals: Copper alloy
	Contacts: Silver alloy

Ordering Information

TC 4

Dimensions

Dimensions in mm



Subject to change without prior notice

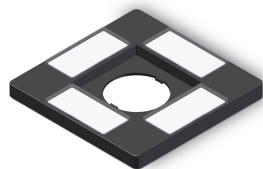
Panel Assembling

Due to reduced dimensions, the industrial joystickswitch TC series, allows quick and easy assembling. The sealing cover goes trough the fixation hole, allowing the electric connection to be done before the assembling on the panel.

Accessories



Fixation Key **C5AX**



Legend Plates
C5AQM4

